

SERVICE MANUAL



FISHER

STEREO HIGH FIDELITY SYSTEM

PH-W3000K

(EUROPE)



142 516 08

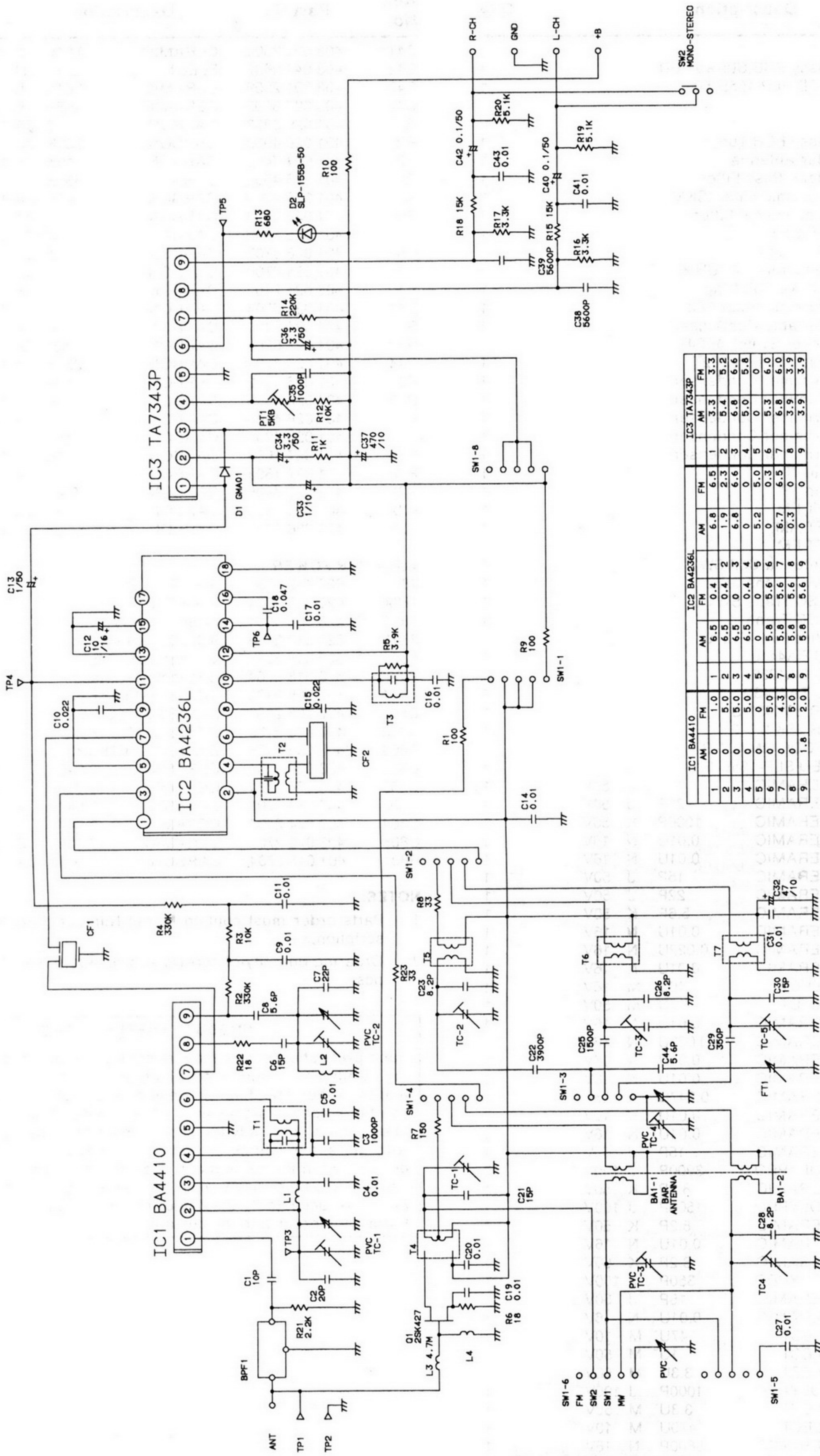
SPECIFICATIONS

Power Source			
AC	120V/220V	
DC	12V	
(UM-1, HP2, D Cell, Monozelle, R20)x8			
Max. Output Power	4.5Wx2	
Power Consumption	24W	
Current Consumption (at Vol. Min.)			
Record mode	210mA	
Playback mode	210mA	
Fast Forward mode	250mA	
Rewind mode	250mA	
Recording System	AC Bias	
Erasing System	AC Erasing	
Tape Speed	1-7/8ips. ±3%	
Wow & Flutter	0.15% (WRMS)	
Torque			
Playback	30 ~ 55g-cm	
Fast Forward/Rewind	55 ~ 120g-cm	
Fast Forward/Rewind Time	120sec. (with C-60)	
Frequency Response (Overall)			
Fe ₂ O ₃	100Hz ~ 12,500Hz	
Erase Ratio (Overall, with Fe ₂ O ₃)	60dB	
Signal to Noise Ratio (with Fe ₂ O ₃)	40dB	
Crosstalk (with Fe ₂ O ₃)			
Track to Track	50dB	
Channel Separation (with Fe ₂ O ₃)	30dB	
Harmonic Distortion (K3/with Fe ₂ O ₃)	3%	
Hum & Noise (at Vol. Min.)	-60dBs	
Oscillation frequency	85kHz	
Output Level and Impedance			
Headphones	32Ω	
Frequency Range			
MW	531 ~ 1,602kHz	
SW ₁	2.3 ~ 7.5MHz	
SW ₂	7.5 ~ 24MHz	
FM	87.5 ~ 108MHz	

— Specifications and design are subject to change without notice. —

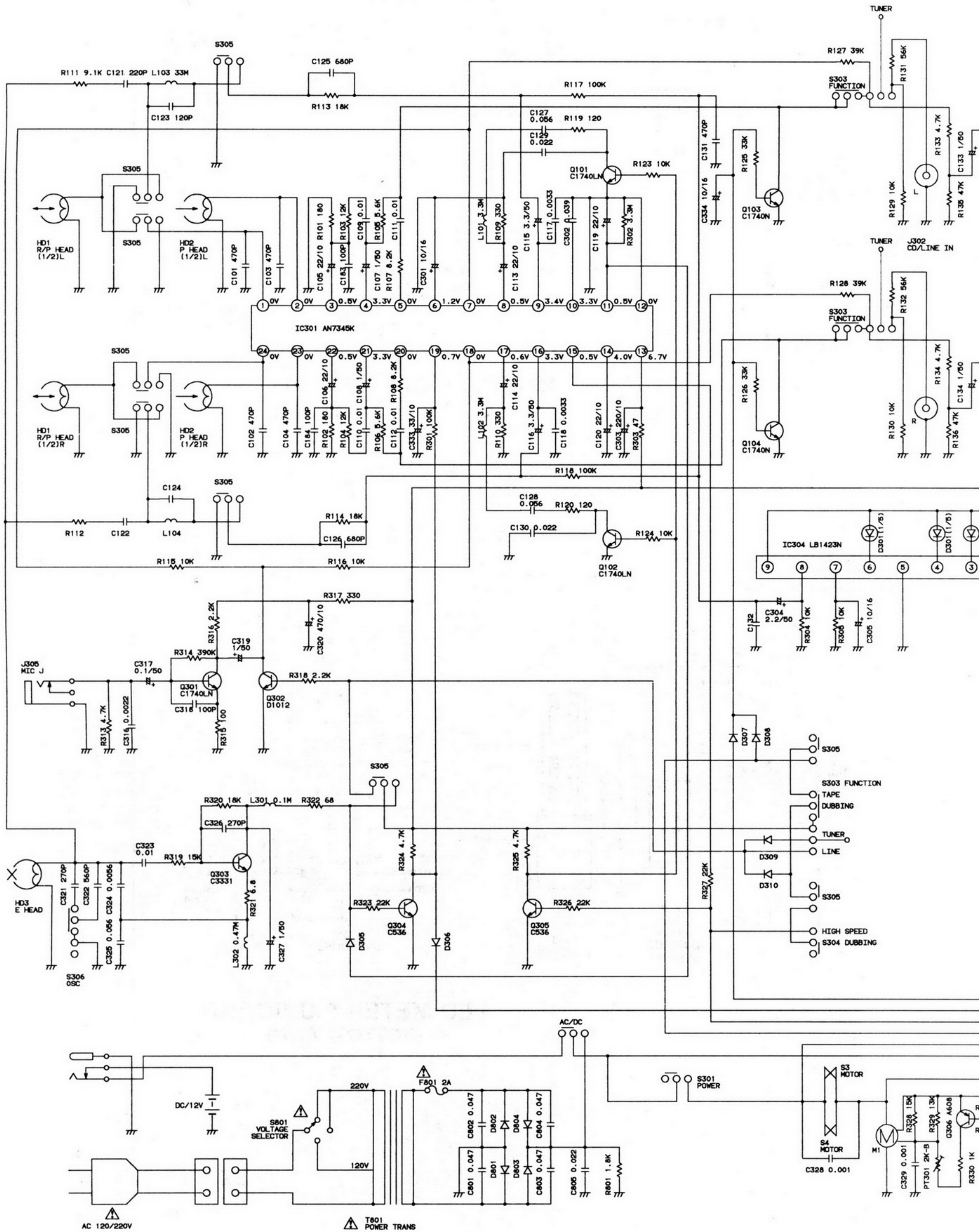
REFERENCE No. WM-570555

SCHEMATIC DIAGRAM (Tuner)



IC1 BA4410		IC2 BA4236L		IC3 TA7343P							
AM	FM	AM	FM	AM	FM						
1	0	1.0	1	6.5	0.4	1	6.8	6.5	1	3.3	3.3
2	0	5.0	2	6.5	0.4	2	1.9	2.3	2	5.4	5.2
3	0	5.0	3	6.5	0	3	6.8	6.6	3	6.8	6.6
4	0	5.0	4	6.5	0.4	4	0	0	4	5.0	5.8
5	0	0	5	0	0	5	5.2	5.0	5	0	0
6	0	5.0	6	5.8	5.6	6	0	0.3	6	5.3	6.0
7	0	4.3	7	5.8	5.6	7	6.7	6.5	7	6.8	6.0
8	0	5.0	8	5.8	5.6	8	0.3	0	8	3.9	3.9
9	1.8	2.0	9	5.8	5.6	9	0	0	9	3.9	3.9

SCHEMATIC DIAGRAM (A)



RAM (Amplifier)

